



# 100 Base-T DUAL port through hole Magnetics



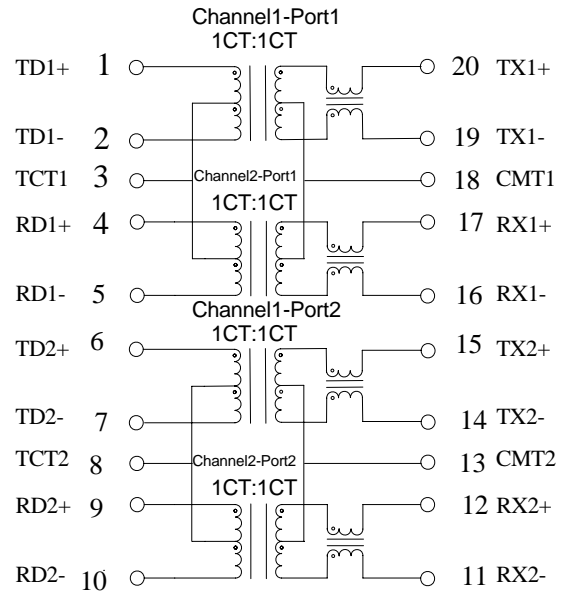
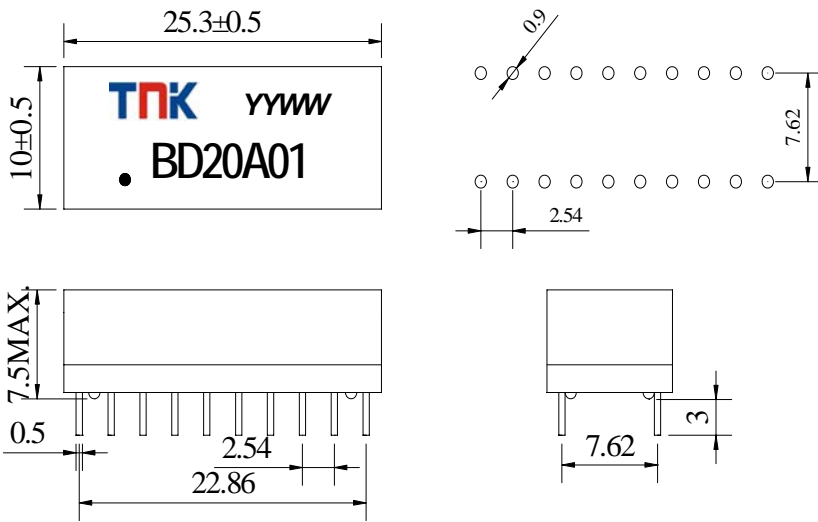
- Designed to meet IEEE802.3ab requirement
- Primary inductance 350uH min with 8mA DC Bias
- RoHS Compliant.
- Operating temperature range:0°C to +70°C
- Storage temperature range:-25°C to +125°C

## Electrical Specifications @ 25°C

Part Number	Turn Ratio		Insertion Loss 0.5~100M Hz (dB Max)	Return Loss (dB Min)			Cross Talk (dB Min)		CMRR (dB Min)	CWW (pF Max)	LK (uH Max)	DCR (Ω Max)		Hi-Pot (VAC)
	Tx	Rx		0.5-30 MHz	30.1-60 MHz	60.1-80 MHz	0.5-40 MHz	40.1-100 MHz				PRI	SEC	
BD20A01	1:1	1:1	-1.1	-18	-18+20log( f/30)	-12	-35	-30	-30	56	0.5	0.9	1.2	1500

### Mechanical

### Schematic



NOTE:

- 1、Dimensions:mm;
- 2、 Unless otherwise specified,tolerances:±0.25(mm);

东莞市讯康电子科技股份有限公司  
 地址：广东省东莞市塘厦镇林村里牙塘工业区 145 号  
 TEL:(86)769-87923451      FAX:(86)769-87923450  
 WEBSITE:http://www.tnk.net.cn